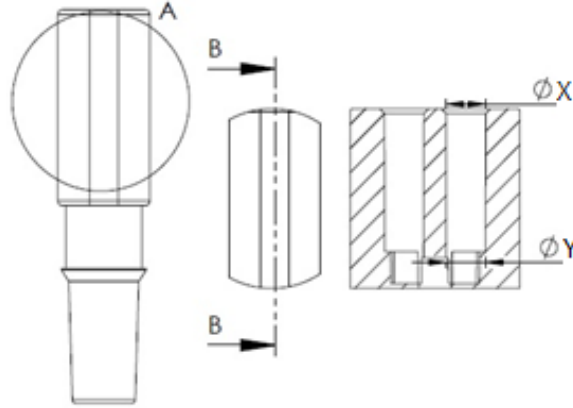


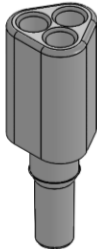

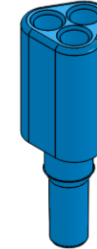

DESCRIPTION

Usage: three-way products

FEATURES

- ☑ Materials: Polycarbonate
- ☑ ISO 80369-7 compliant Male Luer.

DIAGRAM**PRODUCT DATA**

Characteristic	Specification			
Product Code	K007-25 K007-28	K007-25-F K007-28-F	K007-25-M K007-28-M	K007-25-PH* K007-28-PH*
Drawing				
Color	Clear	Grey	Blue	Amber
K006-25 ØX / ØY (mm)	2,50 / 2,45			
K006-28 ØX / ØY (mm)	2,65 / 2,60			
Width (mm)	8.00			
Height (mm)	24.30			
Length (mm)	8.00			

*PH: photoprotective

LABELLING AND PACKAGING

Each unit is labelled on its packaging container.

Each container is labelled with the following traceability information:

- Quantity,
- Product description,
- Production date,
- Lot number

TDS.129_Rev01_13.12.2021

ASSET® MEDICAL DESIGN INC is an ISO 13485 registered company, Certificate No.: M 8072.

©2021 Asset Medikal. All rights reserved.

Asset Medikal Tasarım Sanayi ve Ticaret A.Ş

İkitelli OSB Mahallesi
17. Cadde, No: 17
Basakşehir, İstanbul - Turkey

Phone : +90 212 494 27 27

Fax : +90 212 494 34 37

Taxation Authority / No : İKİTELLİ V.D. / 0910501228

Trade Register No : 695458

Central Registration System No : 0091050122800019

info@assetmedikal.com | www.assetmedikal.com